
SPL-10 Specifications

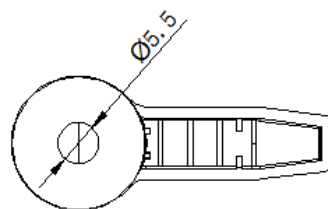
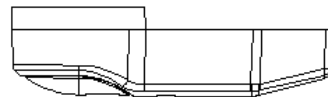
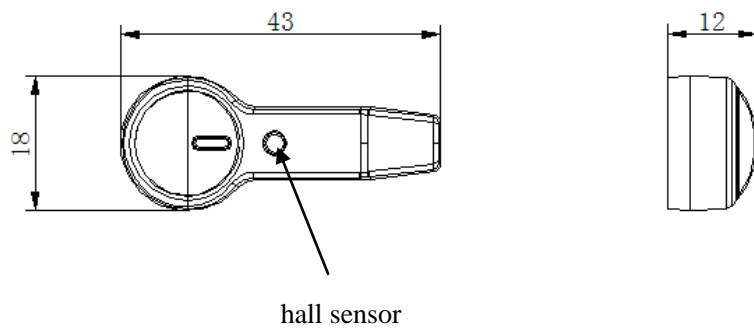
1. Product model

Name : E-bike Speed sensor

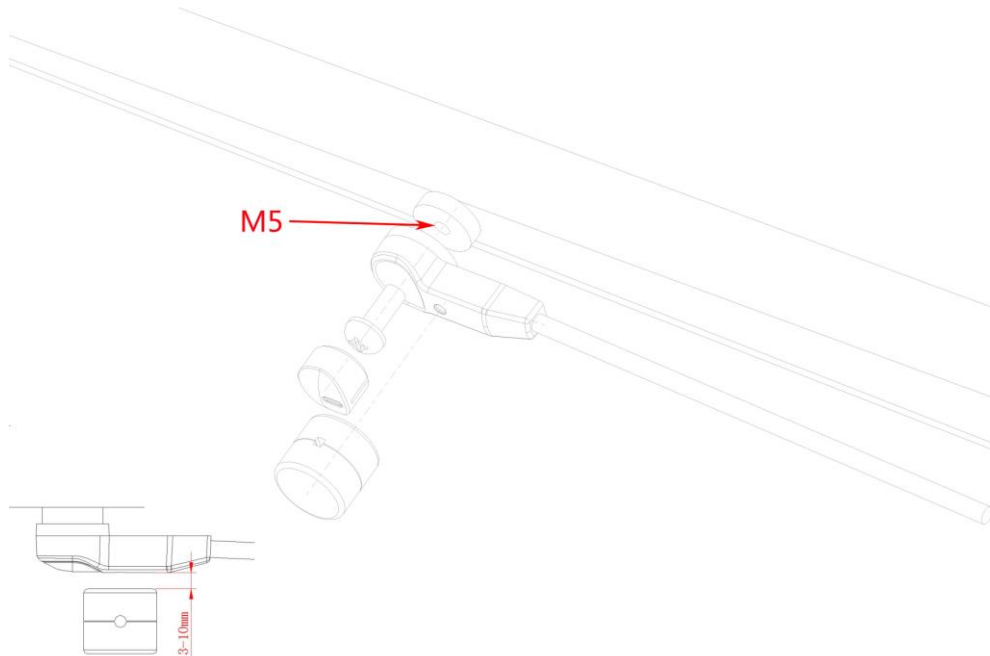
Model : SPL-10

2. Size and Material

Material : PC+ABS



3. Assembly diagram



4. Specifications

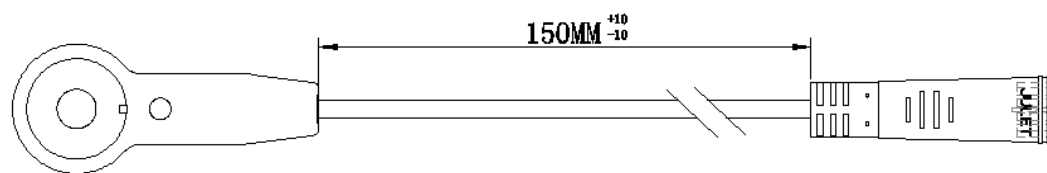
Parameter	Value
Rated voltage	DC5V
Rated current	5mA
Pulse per circle	1
Assembly Distance	3-10mm
Operating temperature	-30~70℃
Water proof	IPX7
Certification	CE ROHS

5. Connector specification

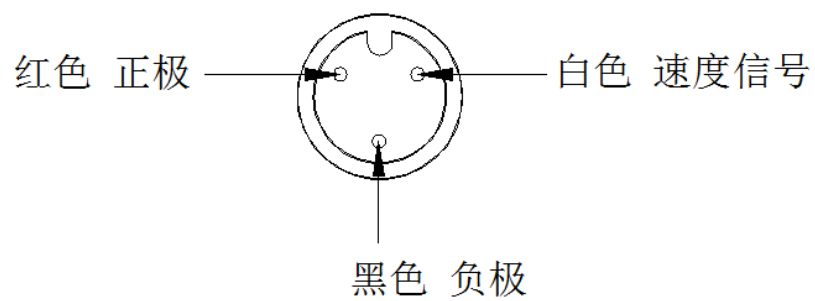
RED : +5V

WHITE : Signal

BLACK : GND



JL-F-Z309AM



母端正视图
